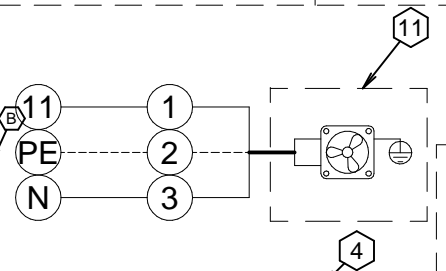
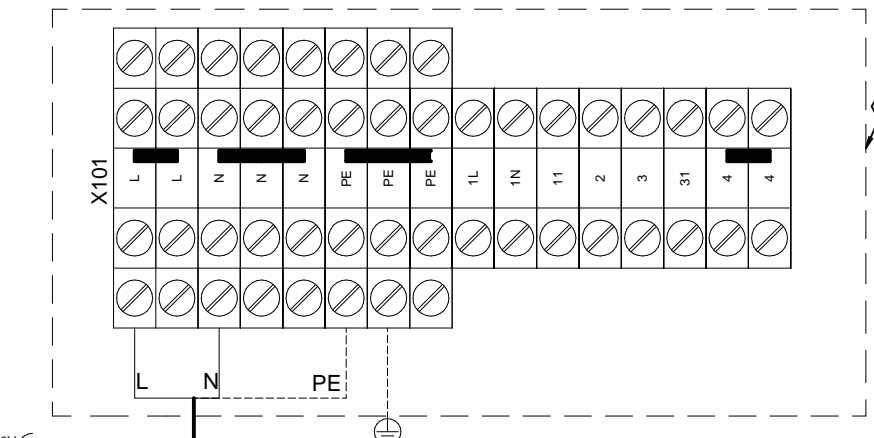
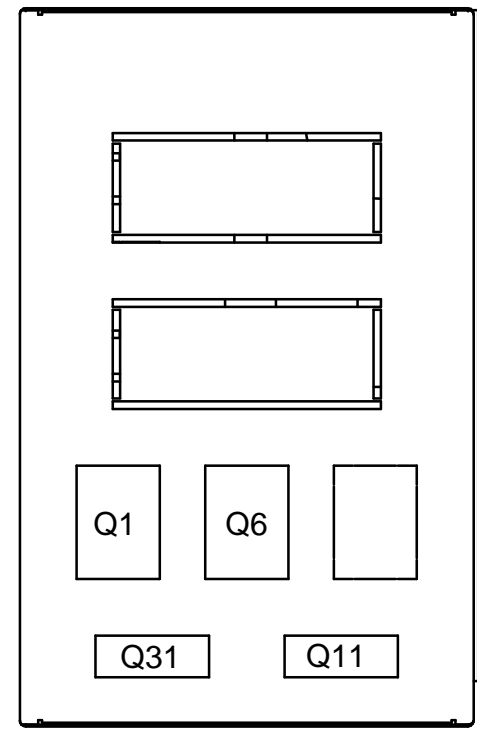
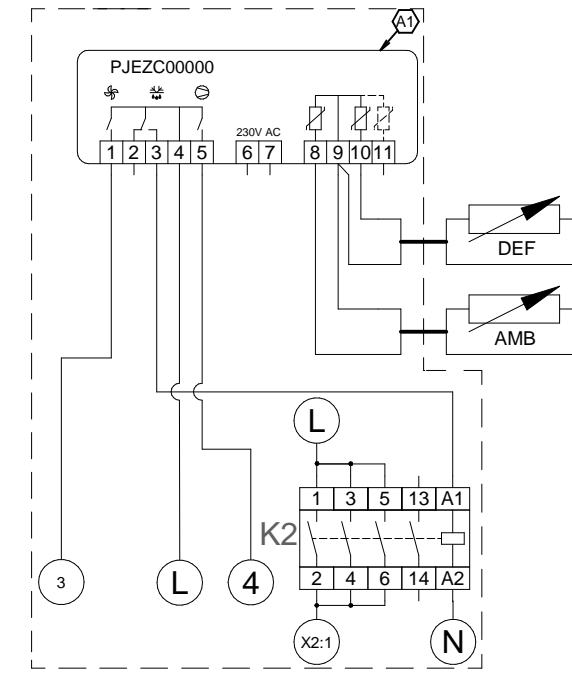
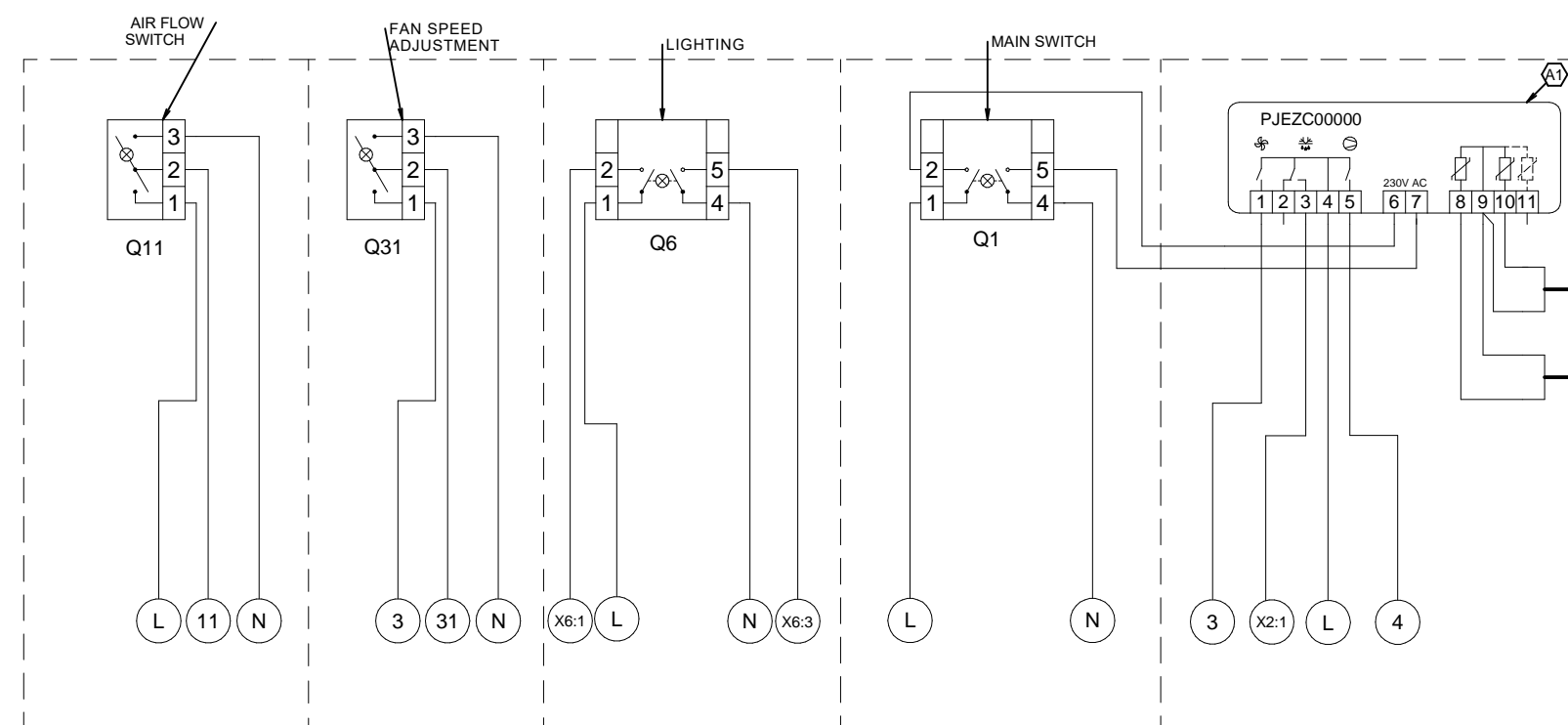
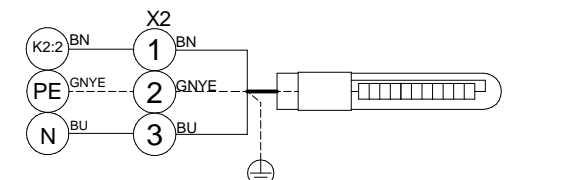
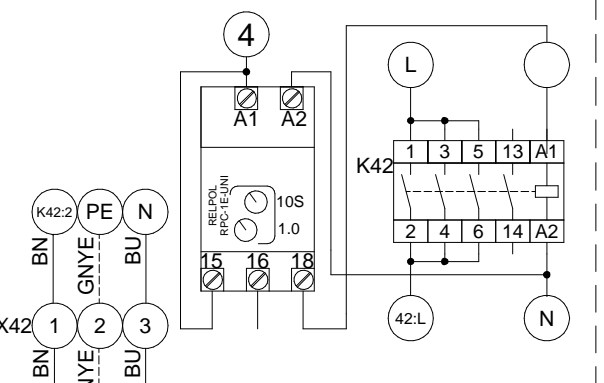


No.	Description
A1	ELECTRONIC CONTROLLER CAREL
B	ELECTRIC LATH
11	FRONT GLASS VENTILATION FANS
14	ELECTRIC SOCKET
2	EVAPORATOR HEATER
3	EVAPORATOR FANS
31	ENERGY SAVING EVAPORATOR FANS
41, 42	COMPRESSOR
4	EVR VALVE
6	LIGHTING

PROBES	
SYMBOL	DESCRIPTION/DESIGNATION
DEF	DEFROST PROBE 1 (WHITE PIPE X1)
AMB	INLET AIR PROBE (GREEN PIPE X1)



ADDITIONAL MINISTICAL IN MODULES 2.5 AND 3.75



CONNECTING THE MINISTICAL EVAPORATOR HEATERS IN MODULE 3.75

